

BOOSTRAL 611

Optical RFoG SDU FTTH micronode, 1 active output, 1 GHz / 85 MHz

FORWARD PARAMETERS

Wavelength	1543 - 1555 nm
Bandwidth	85...105 - 1006 MHz
Optical AGC range	- 6 - 0 dBm
Flatness ¹	± 2 dB
Equivalent Input Noise Current	< 5 pA / √Hz
Output level ² :	
CTB ≤ - 62 dBc	80 dBμV
CSO ≤ - 64 dBc	80 dBμV
Gain limited output level ³	80 dBμV ± 2 dB

RETURN PARAMETERS

Wavelengths ⁴	1610 nm
Frequency range	5 - 65...85 MHz
Flatness ⁵	± 1.0 dB
Optical output power :	
ON	3 ± 0.5 dBm
OFF	< - 30 dBm
RF input threshold	70 dBμV ± 2 dB
Laser rise/fall time ⁶	< 1 / < 1 μs
Min RF input level to get 35 % OMI	93 dBμV
NPR / Dynamic range ⁷	40 dB / 5 dB

OTHERS

Return loss ⁸	≥ 18 dB
Voltage range: mains powering	external power supply 230 V AC / 12 V DC connected to the PWR IN port
Power consumption ⁹	< 3.6 W
Operation temperature range	-20 - 50 °C
Optical connectors	SC / APC (other on request)
RF connectors type	1 x F female
Protection class	IP 42
Dimensions (W x L x H)	124 x 102 x 31 mm
Weight	0.5 kg

AVAILABLE VERSIONS

BOOSTRAL 611 256M O	external power supply, one fiber, upstream 5 - 65 MHz
BOOSTRAL 611 258M O	external power supply, one fiber, upstream 5 - 85 MHz
BOOSTRAL 611 256M P	external power supply, xPON, upstream 5 - 65 MHz, on request
BOOSTRAL 611 258M P	external power supply, xPON, upstream 5 - 85 MHz, on request



1.2 GHz technology

An extended bandwidth in downstream up to 1.2 GHz; DOCSIS 3.1 standard compliant



RFoG SDU / FTTH

To be used in a modern RFoG SDU / Fiber To The Home architecture



BURST mode

A laser lifetime significantly extended; noise reduction; reduced energy consumption



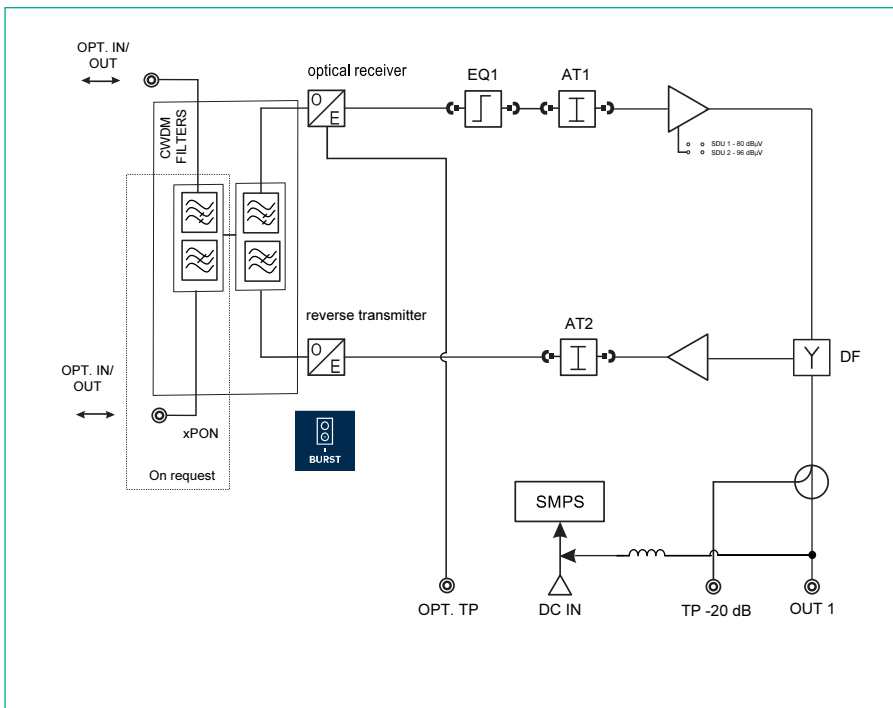
OBI FREE SYSTEM

Device designed to work in OBI FREE system



xPON port (on request)

A flexible solution to be used in the scenarios combined with xPON networks



- In range 85 - 862 MHz; ± 1.5 dB up to 1006 MHz; typical value
- In accordance to 3 dB slope from 85 MHz to 1 GHz; CENELEC 42; typical value
- 3,5 % OMI / channel; single carrier; Pin = - 6 dBm; wavelength 1550 nm
- Other on request
- Up to 85 MHz; typical value
- European RFoG IEC 60 7 28 - 14 standard compliant
- Measured with 12 dB link (15 km fiber + loss), 60MHz BW noise load, EINC 7pA / √Hz
- In 5 - 65 MHz; 18 dB for f < 40 MHz; 18 dB - 1.5 dB / oct for f > 40 MHz, but not worse than 11 dB
- Powered via DC port; power supply consumes additional 1 W

Unless otherwise specified, the whole specifications are tested with 65 / 85 duplex filters installed; at room temperature 25°C and present typical values.

18/03/2016 Specifications are subject to change without notice.